



Fabco TC-35 Transfer Case Parts Manual

Pro Gear Fabco TC-35 Transfer Case Parts Manual to assist in identifying your Fabco unit.

If you need any assistance identifying the correct transfer case unit for your truck and equipment, contact your Fabco replacement part specialists at Pro Gear and Transmission.

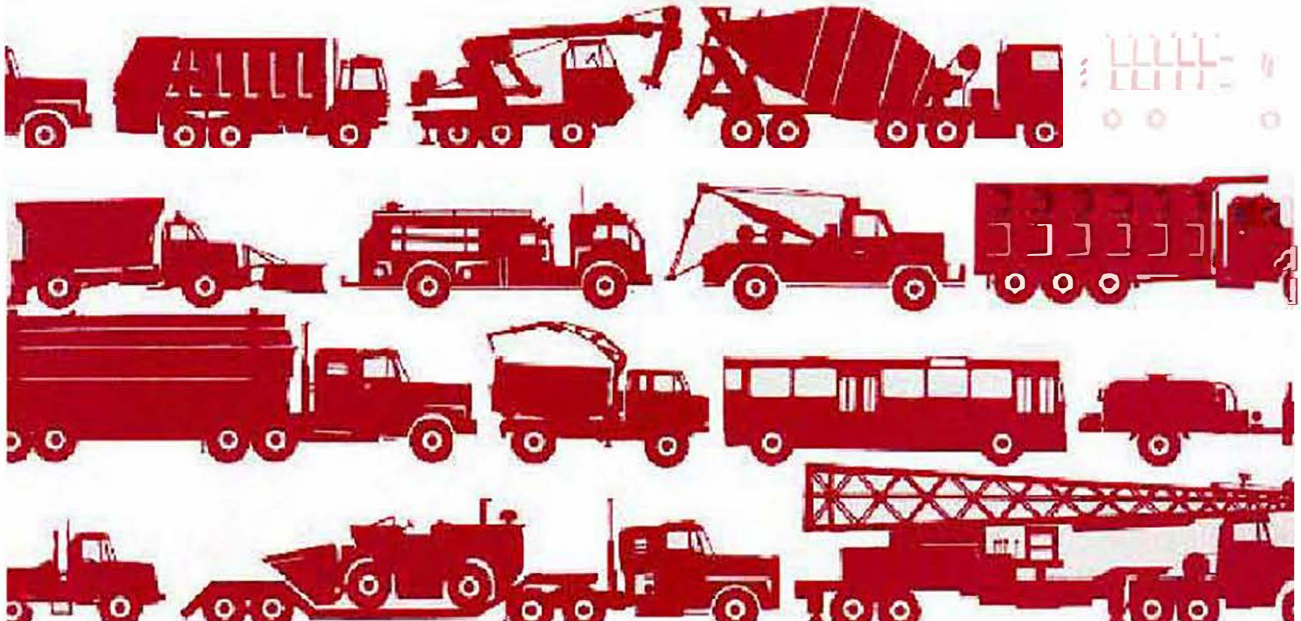
Pro Gear Transmission has same day shipping and 1000's of products in stock and ready to ship internationally for your next project.

For parts or service contact the Fabco specialists at Pro Gear & Transmission, Inc.

1 (877) 776-4600
(407) 872-1901
parts@eprogear.com



FABCO TC-35 TRANSFER CASE PARTS MANUAL



A business unit of **tti**

VIII. PARTS MANUAL

TC-35

PARTS MANUAL INDEX

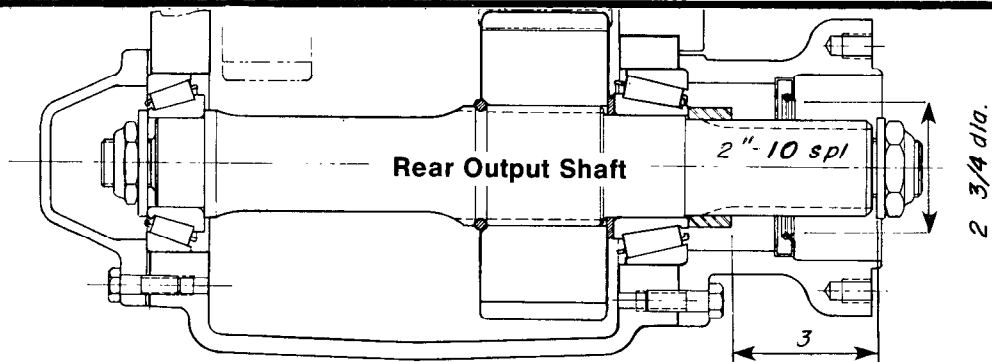
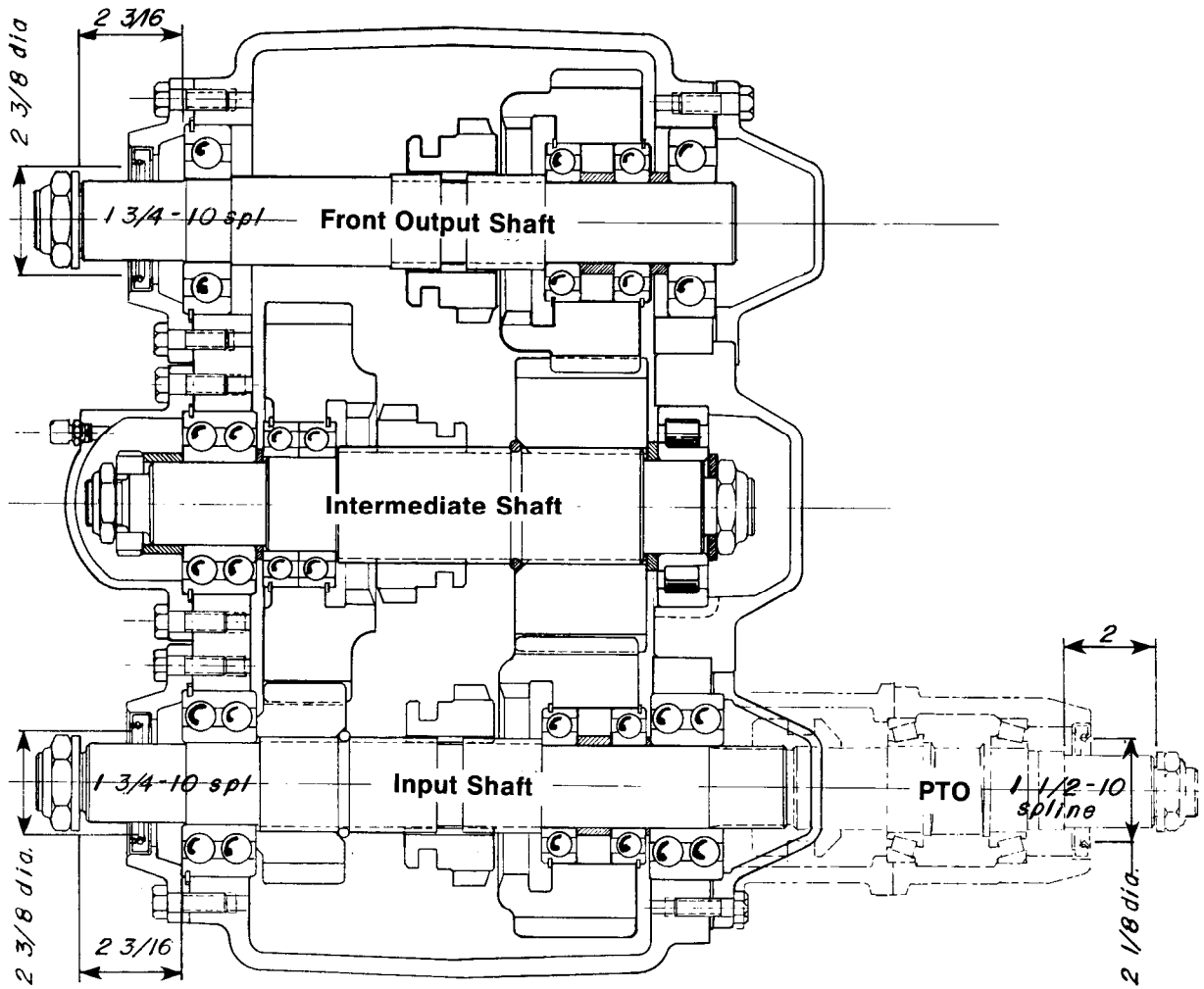
SECTION THROUGH ASSEMBLED SHAFTS PM2

EXPLODED VIEWS WITH PARTS LISTS

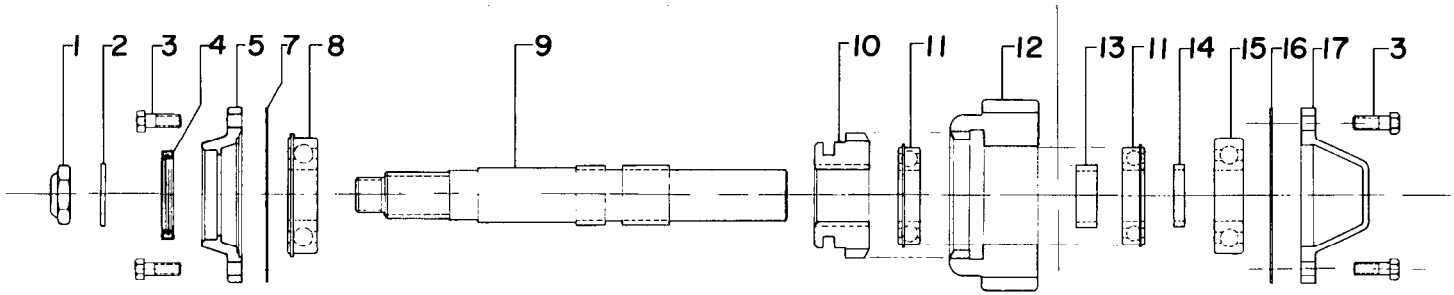
Front Output Shaft	PM3
Rear Output Shaft	PM4
Intermediate Shaft	PM5
Input Shaft	PM6
Air Shift H-N & H-N-U	PM7
Manual H-N-U Shift	PM9
Air Operated Front Drive Declutch ...	PM10
Manual Front Drive Declutch	PM11
PTO	PM12
Air Operated PTO Shift	PM13
Manual PTO Shift	PM14
Oil Lines and Fittings PTO	PM15

**HOUSING, COVER AND
MISCELLANEOUS PARTS** PM16

TC-35
 Shafts, Gears, Bearings, Spacers, Seals
 Carriers and Caps



FRONT OUTPUT SHAFT

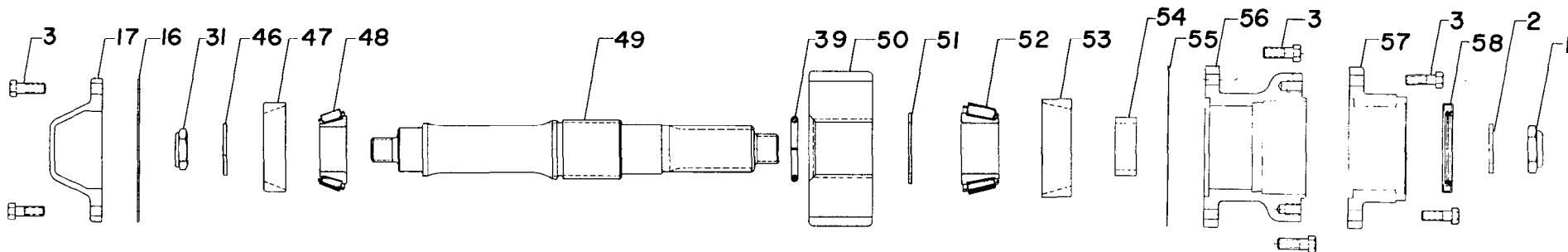


PM3

ITEM	PART NO.	DESCRIPTION	QUANTITY
1	688 633	Nut, 1¼-18 Nylon Lock	1
2	927 775 004	Washer, 1 ⁵ / ₁₆ -10 I.D.	1
3	265 238	Capscrew, ⁷ / ₁₆ -14 x 1¼	12
4	732 246	Seal	1
5	237 435	Carrier, Oil Seal	1
7	427 339	Gasket	1
8	232 252	Bearing	1
9	769 277	Shaft, Front Output	1
10	432 236	Clutch	1

ITEM	PART NO.	DESCRIPTION	QUANTITY
11	232 234	Bearing	2
12	432 237	Gear	1
13	736 235	Spacer Ring	1
14	736 948	Spacer Ring	1
15	232 229	Bearing	1
16	7441322	Shim, Coral .031	A/R
	7442322	Shim, Pink .016	A/R
	7443322	Shim, Blue .005	A/R
17	235 484	Cover, Fos Rear, Ros Front	1

PM4



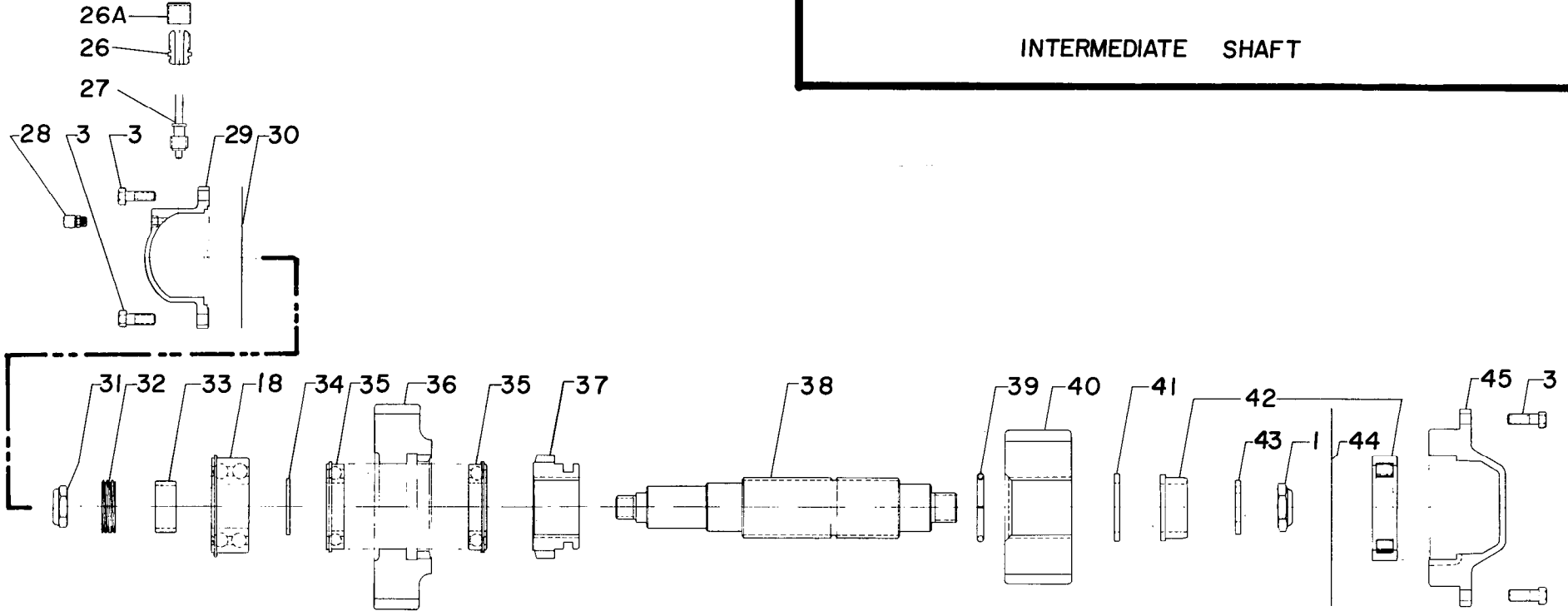
ITEM	PART NO.	DESCRIPTION	QUANTITY
1	688 633	Nut, 1/4-18 Nylon Lock	1
2	927 775 004	Washer, 1 ⁵ / ₁₆ -10 I.D.	1
3	265 238	Capscrew, 7/16-14 x 1/4	12
16	7441322	Shim, Coral .031	A/R
	7442322	Shim, Pink .016	A/R
	7443322	Shim, Blue .005	A/R
17	235 484	Cover, Ros Front	1
31	688 634	Nut, 1-20 Nylon Lock	1
39	762 292	Ring, Split	1
46	927 775 001	Washer, 1 ¹ / ₁₆ I.D.	1
47	233 456	Bearing Cup	1

ITEM	PART NO.	DESCRIPTION	QUANTITY
48	233 455	Bearing Cone	1
49	769 276	Shaft, Rear Output	1
50	432 554	Gear, Rear Output	1
51	927 758	Washer, Bearing Spacer	1
52	233 457	Bearing Cone	1
53	233 458	Bearing Cup	1
54	736 949	Ring, Spacer	1
55	427 466	Gasket, Rear Output Carrier	1
56	237 432	Carrier, Rear Output Shaft (Case w/P. Brake)	1
57	237 434	Carrier, Rear Output Shaft (Case w/o P. Brake)	1
58	732 372	Seal, Rear Output Shaft	1

REAR OUTPUT SHAFT

FABCO DIV. KELSEY HAYES

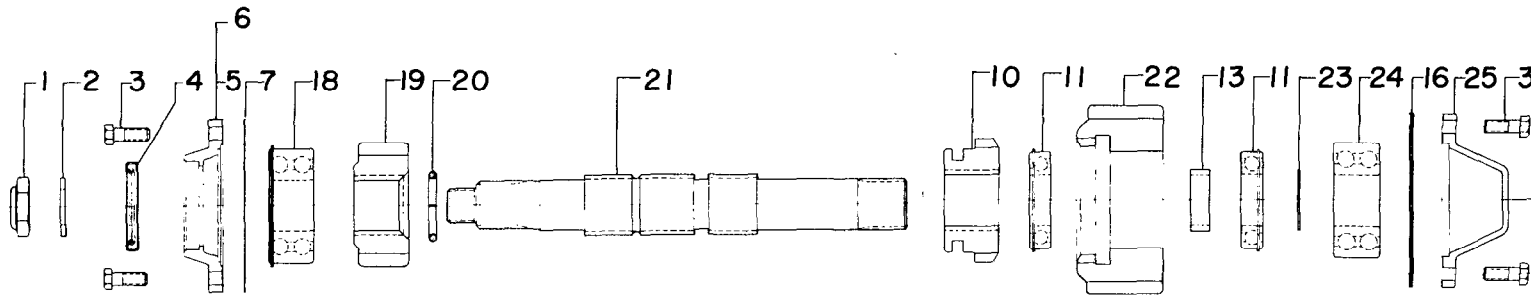
INTERMEDIATE SHAFT



PMS

ITEM	PART NO.	DESCRIPTION	QUANTITY
1	688 633	Nut, 1¼-18 Nylon Lock	1
3	265 238	Capscrew, 7/16-14 x 1¼	13
26	883 473	Connector, Speedo	1
26A	235 529	Cap, Plastic	1
27	432 235	Gear, Speedo Driven	1
28	836 222	Vent	1
29	235 446	Cap, Speedo	1
30	427 338	Gasket	1
31	688 634	Nut, 1-20 Nylon Lock	1
32	432 234	Gear, Speedo Drive	1
33	736 229	Ring, Speedo Drive Gear Spacer	1
34	927 756	Washer, Brg. Spacer	1

ITEM	PART NO.	DESCRIPTION	QUANTITY
35	232 388	Bearing	2
36	432 559	Gear, Underdrive 41T	1
37	432 556	Clutch Gear, Intermediate Shaft	1
38	769 275	Shaft, Intermediate	1
39	762 292	Ring, Split	1
40	432 558	Gear, 34T	1
41	927 757	Washer, Intermediate Shaft Spacer	1
42	233 454	Bearing, Roller (Complete)	1
43	927 775 003	Washer, 1¼ ID	1
44	427 465	Gasket, Intermediate Shaft Rear	1
45	235 487	Cap, Intermediate Shaft Rear	1



PM6

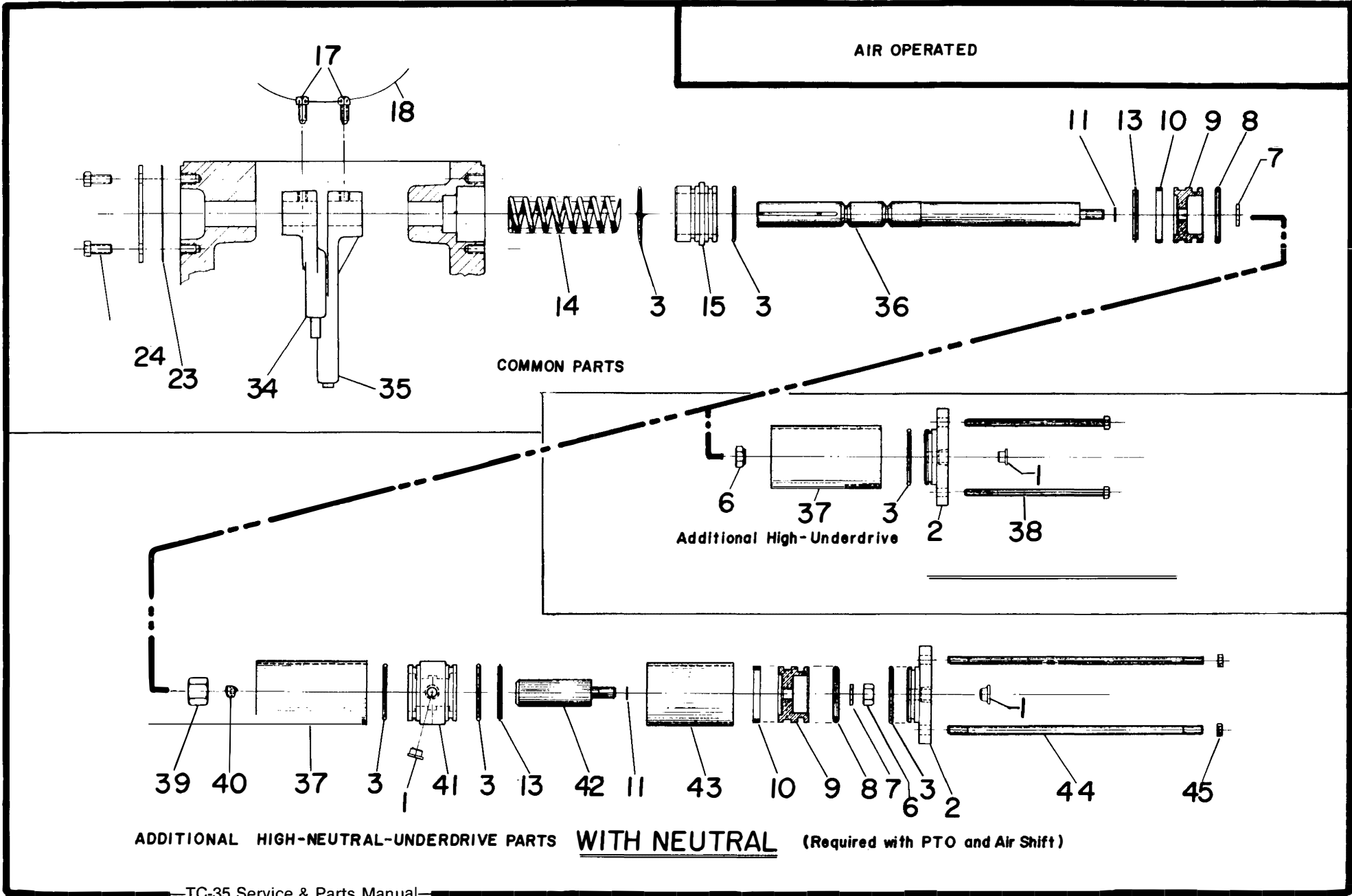
ITEM	PART NO.	DESCRIPTION	QUANTITY
1	688 633	Nut, 1¼-18 Nylon Lock	1
2	927 775 004	Washer, 1 ⁵ / ₁₆ -10 I.D.	1
3	265 238	Capscrew, 7/ ₁₆ -14 x 1¼	(Cases w/PTO) 10 (Cases w/o PTO) 12
4	732 246	Seal	1
5	237 435	Carrier, Oil Seal	(Cases w/o PTO) 1
6	237 443	Carrier w/Oil Line Connection	(Cases w/PTO) 1
7	427 339	Gasket	1
10	432 236	Clutch	1
11	232 234	Bearing	2
13	736 235	Spacer Ring	1

ITEM	PART NO.	DESCRIPTION	QUANTITY
16	7441322	Shim, Coral .031	A/R
	7442322	Shim, Pink .016	A/R
	7443322	Shim, Blue .005	A/R
18	232 245	Bearing	1
19	432 478	Gear 19T	1
20	736 833	Split Ring	1
21	769 279	Shaft, Input	1
22	432 557	Gear, 35T w/Int. Clutch	1
23	927 224	Washer	1
24	232 238	Bearing	1
25	235 485	Cap, Input Shaft Rear (w/o PTO)	1

INPUT SHAFT

FABCO DIV. KELSEY HAYES

PM7

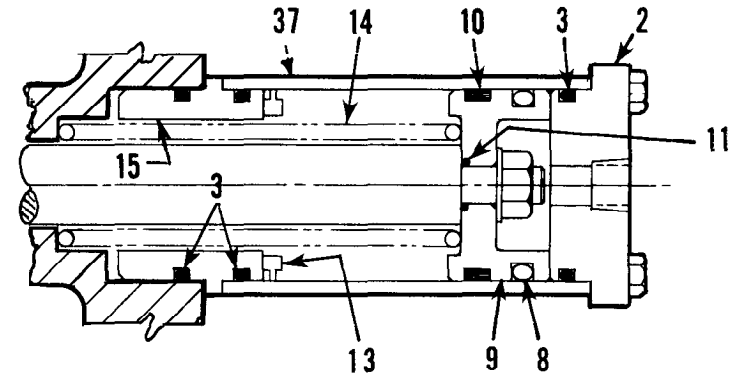
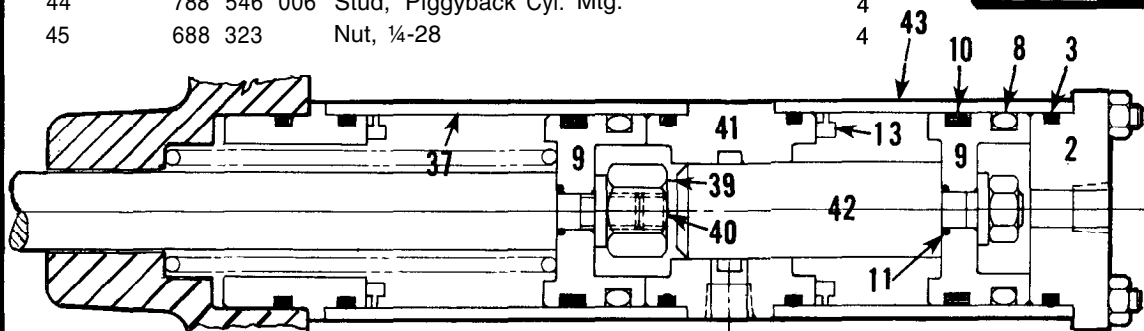


H-N-U Air Shift

ITEM	PART NO.	DESCRIPTION	QUANTITY
1	758 338	Plastic Plug	2
2	235 372	Cap, Air Shift Cyl.	1
3	675 224	O-Ring, Air Shift Cap & Adaptor	5
6	688 464	Nut, Shift Piston	1
7	927 643	Washer, Shift Piston	2
8	675 326	O-Ring, Shift Piston	2
9	753 232	Piston, Shift	2
10	339 223	Felt Ring, Shift Piston	2
11	782 288	O-Ring, Shift Shaft	2
13	736 747	Ring, Nylon Bump	2
14	777 485	Spring, Air Shift Return	1
15	883 479	Adaptor, Air Shift Cyl.	1
17	724 222	Set Screw	2
18	947 223	Lockwire	2
23	427 399	Gasket, Shift Shaft Cap	1
24	235 372	Cap, Shift Shaft	1
25	265 343	Capscrew, 1/4-20 x 1/2	4
34	367 259	Fork, Direct Drive Shift	1
35	367 268	Fork, Under Drive Shift	1
36	742 877	Shaft, H-N-U Air Shift	1
37	883 887 003	Tube, Shift cyl.	1
39	688 643	Nut, Special	1
40	724 582	Set Screw, 3/8-24 x 1/4 Allan Head	1
41	883 893	Adaptor, Piggyback Cyl.	1
42	769 286	Shaft, Piggyback Cyl.	1
43	883 887 007	Tube, Piggyback Cyl. & PTO Cyl.	1
44	788 546 006	Stud, Piggyback Cyl. Mtg.	4
45	688 323	Nut, 1/4-28	4

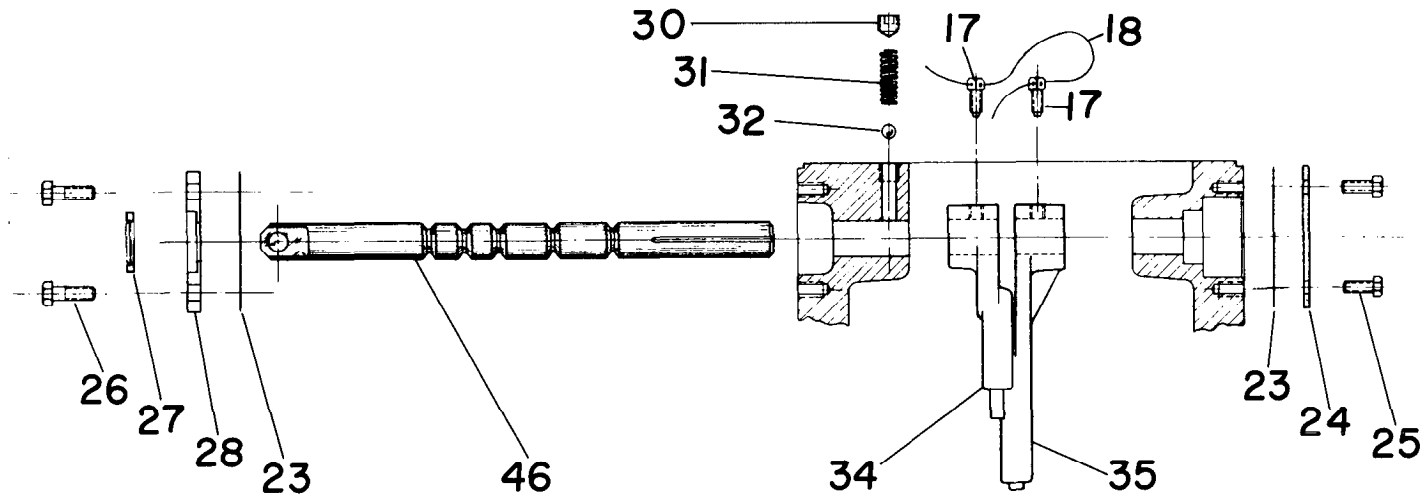
H-U Air Shift

ITEM	PART NO.	DESCRIPTION	QUANTITY
1	758 338	Plastic Plug	1
2	235 372	Cap, Air Shift Cyl.	1
3	675 224	O-Ring, Air Shift Cap & Adaptor	3
6	688 464	Nut, Shift Piston	1
7	927 643	Washer, Shift Piston	1
8	675 326	O-Ring, Shift Piston	1
9	753 232	Piston, Shift	1
10	339 223	Felt Ring, Shift Piston	1
11	782 288	O-Ring, Shift Shaft	1
13	736 747	Ring, Nylon Bump	1
14	777 485	Spring, Air Shift Return	1
15	883 479	Adaptor, Air Shift Cyl.	1
17	724 222	Set Screw	2
18	947 223	Lockwire	2
23	427 399	Gasket, Shift Shaft Cap	1
24	235 372	Cap, Shift Shaft	1
25	265 343	Capscrew 1/4-20 x 1/2	4
34	367 259	Fork, Direct Drive Shift	1
35	367 268	Fork, Under Drive Shift	1
36	742 877	Shaft H-N-U Air Shift	1
37	883 887 003	Tube, Shift Cyl.	1
38	265 982	Capscrew, Air Shift Cyl. 1/2-20 x 4 3/4	4



FABCO DIV. KELSEY HAYES

MANUAL H-N-U SHIFT

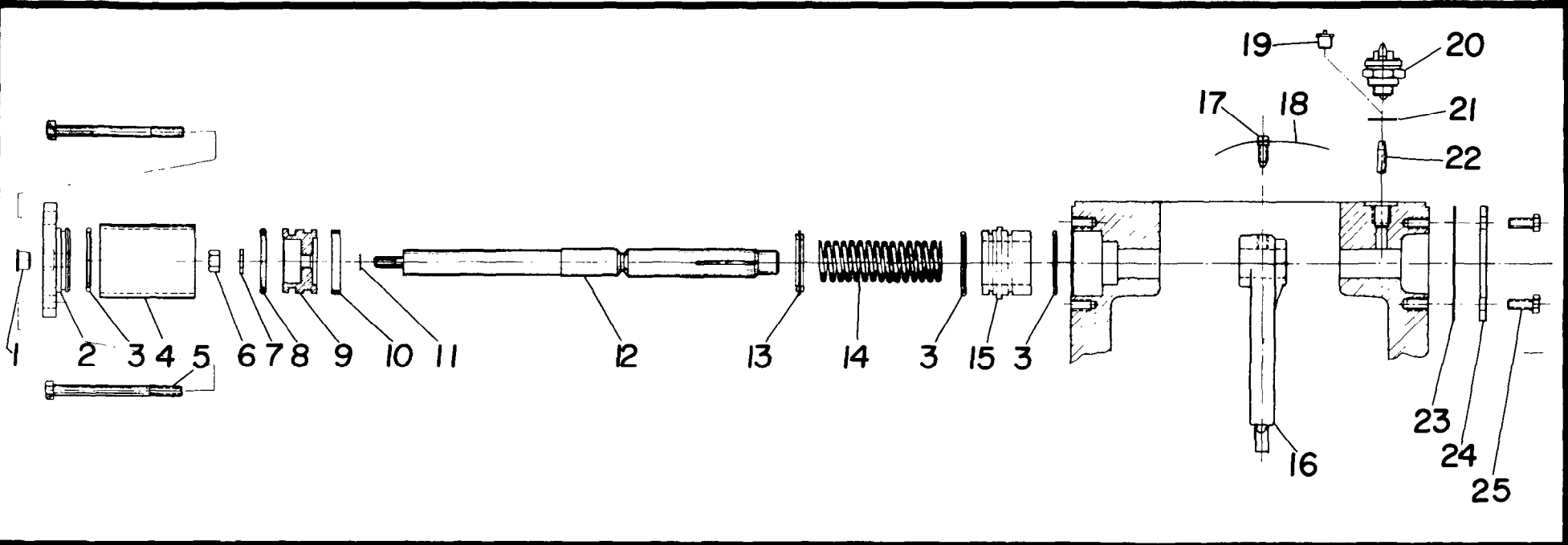


PM9

ITEM	PART NO.	DESCRIPTION	QUANTITY
17	724 222	Set Screw	2
18	947 223	Lockwire	2
23	427 399	Gasket, Shift Shaft Cap	2
24	235 372	Cap, Shift Shaft	1
25	265 343	Capscrew, 1/4-20 x 1/2	4
26	265 366	Capscrew, 1/4-20 x 1	4
27	732 357	Seal, Shift Shaft	1

ITEM	PART NO.	DESCRIPTION	QUANTITY
28	237 383	Carrier, Seal	1
30	724 585	Set Screw, Nylock	1
31	777 225	Spring, Detent	1
32	225 222	Ball, Detent	1
34	367 259	Fork, Direct Drive Shift	1
35	367 268	Fork, Under Drive Shift	1
46	742 945	Shaft, H-N-U Mechanical Shift	1

PM10



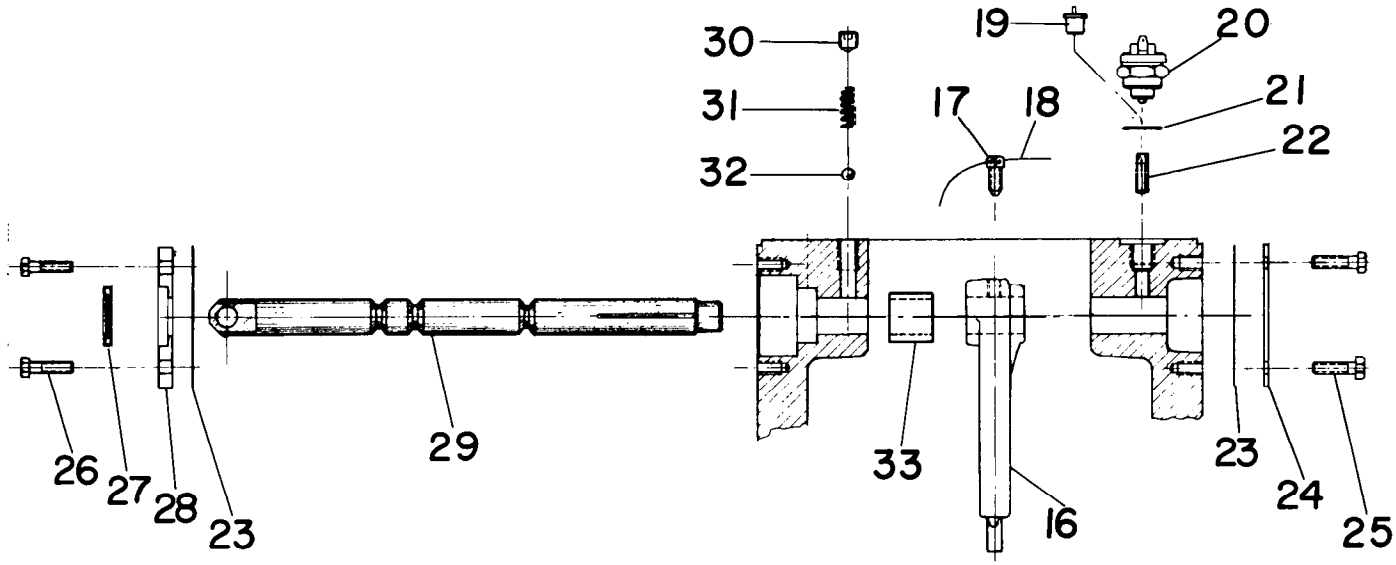
ITEM	PART NO.	DESCRIPTION	QUANTITY
1	758 338	Plastic Plug	1
2	235 372	Cap, Air Shift Cyl.	1
3	675 224	O-Ring, Air Shift Cap & Adaptor	3
4	883 887 006	Tube, Air Shift	1
5	265 892	Capscrew, Shift Cyl. Mtg.	4
6	688 464	Nut, Shift Piston	1
7	927 643	Washer, Shift Piston	1
8	675 326	O-Ring, Shift Piston	1
9	753 232	Piston, Shift	1
10	339 223	Felt Ring, Shift Piston	1
11	782 288	O-Ring, Shift Shaft	1
12	769 285	Shaft, Air Front Drive Shift	1
13	736 747	Ring, Nylon Bump	1

ITEM	PART NO.	DESCRIPTION	QUANTITY
14	777 485	Spring, Air Shift Return	1
15	883 479	Adaptor, Air Shift Cyl.	1
16	367 264	Fork, Front Drive Shift	1
17	724 222	Set Screw	1
18	947 223	Lockwire	1
19	758 364	Plastic Plug	1
20	798 245	Switch, Indicator	1
21	927 427	Washer, Copper	1
22	746 678	Dowel, Switch Operating	1
23	427 399	Gasket, Shift Shaft Cap	1
24	235 372	Cap, Shift Shaft	1
25	265 343	Capscrew, 1/4-20 x 1/2	4

AIR OPERATED FRONT DRIVE DECLUTCH

FABCO DIV. KELSEY HAYES

MANUAL FRONT DRIVE DECLUTCH

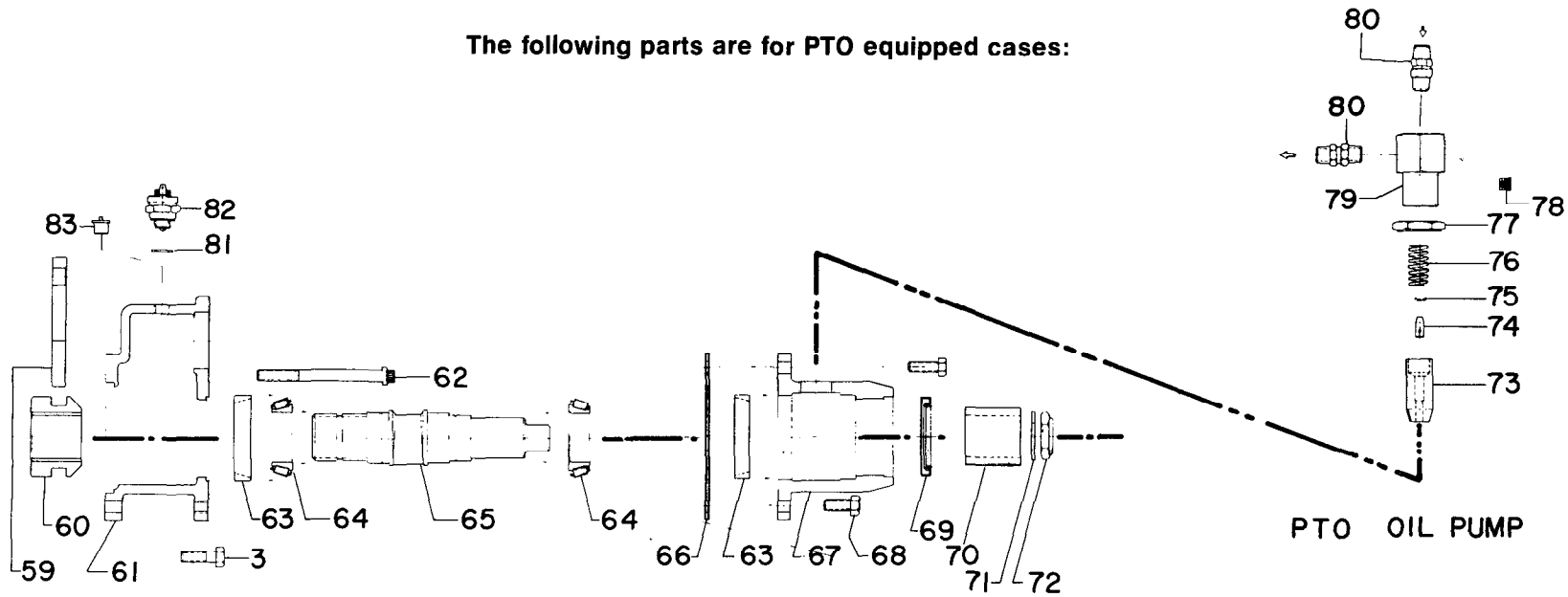


PM11

ITEM	PART NO.	DESCRIPTION	QUANTITY
16	367 264	Fork, Front Drive Shift	1
17	724 222	Set Screw	1
18	947 223	Lockwire	1
19	758 364	Plastic Plug	1
20	798 245	Switch, Indicator	1
21	927 427	Washer, Copper	1
22	746 678	Dowel, Switch Operating	1
23	427 399	Gasket, Shift Shaft Cap	2
24	235 372	Cap, Shift Shaft	1

ITEM	PART NO.	DESCRIPTION	QUANTITY
25	265 343	Capscrew, 1/4-20 x 1/2	4
26	265 366	Capscrew, 1/4-20 x 1	4
27	732 357	Seal, Shift Shaft	1
28	237 383	Carrier, Seal	1
29	769 278	Shaft, Shift	1
30	724 585	Set Screw, Nylock	1
31	777 225	Spring, Detent	1
32	225 222	Ball, Detent	1
33	882 982	Tube, Front Drive Limit	1

The following parts are for PTO equipped cases:



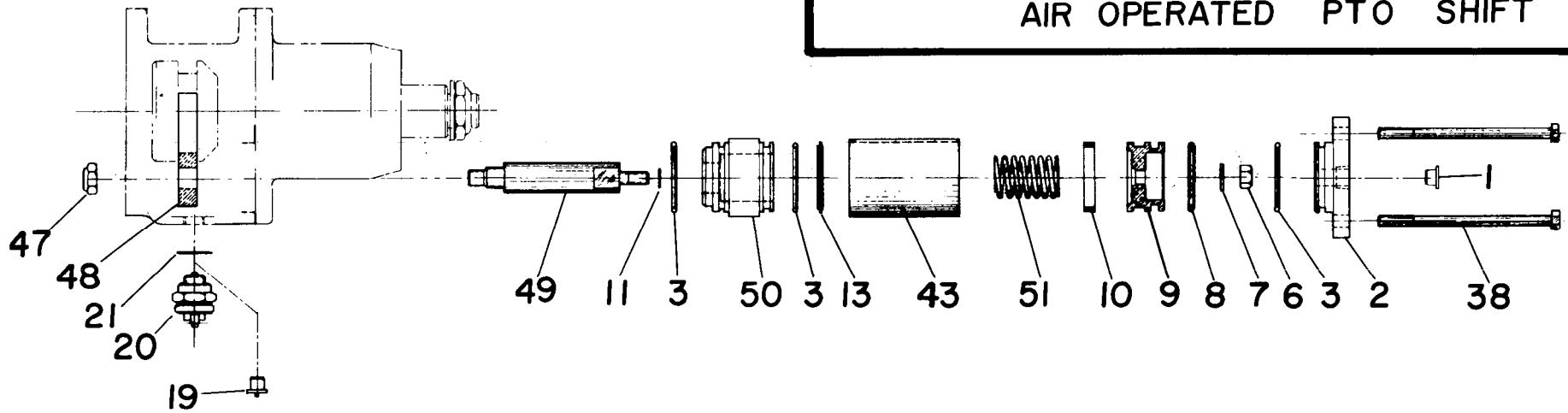
ITEM	PART NO.	DESCRIPTION	QUANTITY
59	367 267	Fork, PTO Shaft	1
60	432 552	Collar, Sliding Clutch	1
61	468 799	Housing, Main PTO	1
62	724 335	Capscrew, $\frac{7}{16}$ x $4\frac{1}{2}$ (12) Point	2
63	233 439	Bearing Cup	2
64	233 442	Bearing Cone	2
65	769 237	Shaft, PTO	1
66	7441323	.031 Coral Shim	A/R
	7442323	.016 Pink Shim	A/R
	7443323	.005 Blue Shim	A/R
67	237 425	Carrier, Bearing & Seal	1
68	265 242	Capscrew, $\frac{3}{8}$ -16 x 1	4
69	732 368	Seal, PTO Output	1
70	883 944	Tube, PTO Output (Temporary)	1
71	927 762	Washer, PTO Output Yoke	1
72	688 634	Nut, PTO Output Yoke	1

ITEM	PART NO.	DESCRIPTION	QUANTITY
73	753 244	Piston, PTO Oil Pump	1
74	825 367	Valve, PTO Piston Check	1
75	762 299	Retaining Ring, PTO Piston Check Valve	1
76	777 535	Spring, PTO Oil Pump	1
77	688 688	Nut, PTO Oil Pump Cyl. Lock & Seal	1
78	758 232	Plug, $\frac{1}{4}$ NPT PTO Oil Pump Cyl.	1
79	295 389	Cylinder, PTO Oil Pump	1
80	825 737	Valve, PTO Oil Pump In & Out Check	2
81	927 427	Washer, Copper	1
82	798 245	Switch (If Specified)	1
83	758 364	Plug, $\frac{9}{16}$ -18 Plastic	1

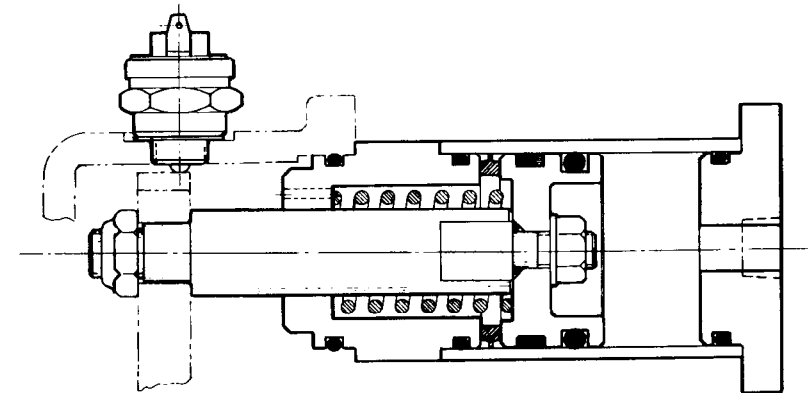
PTO

PM12

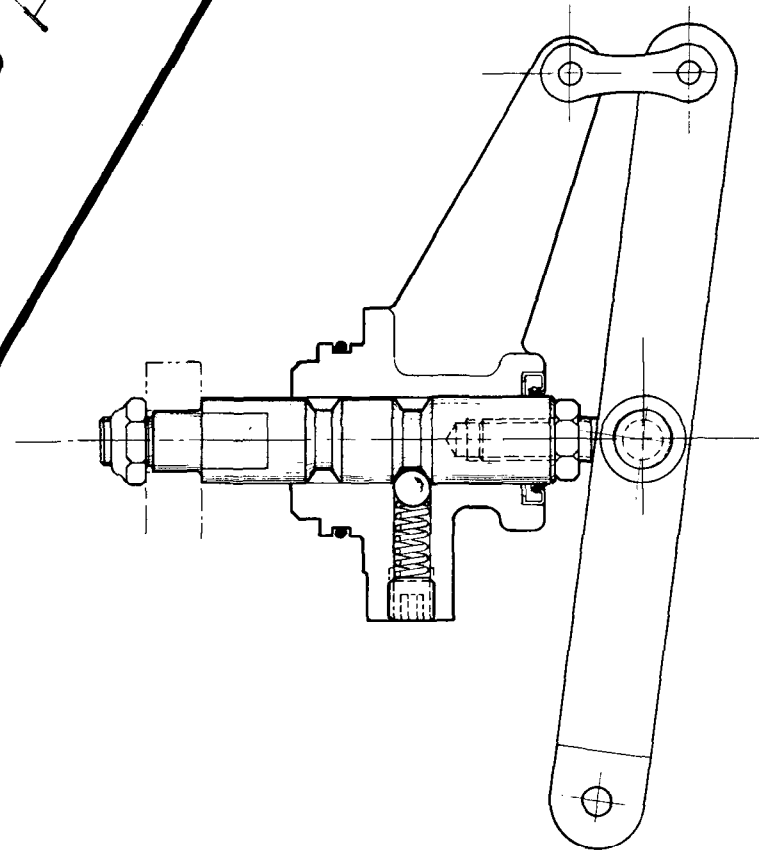
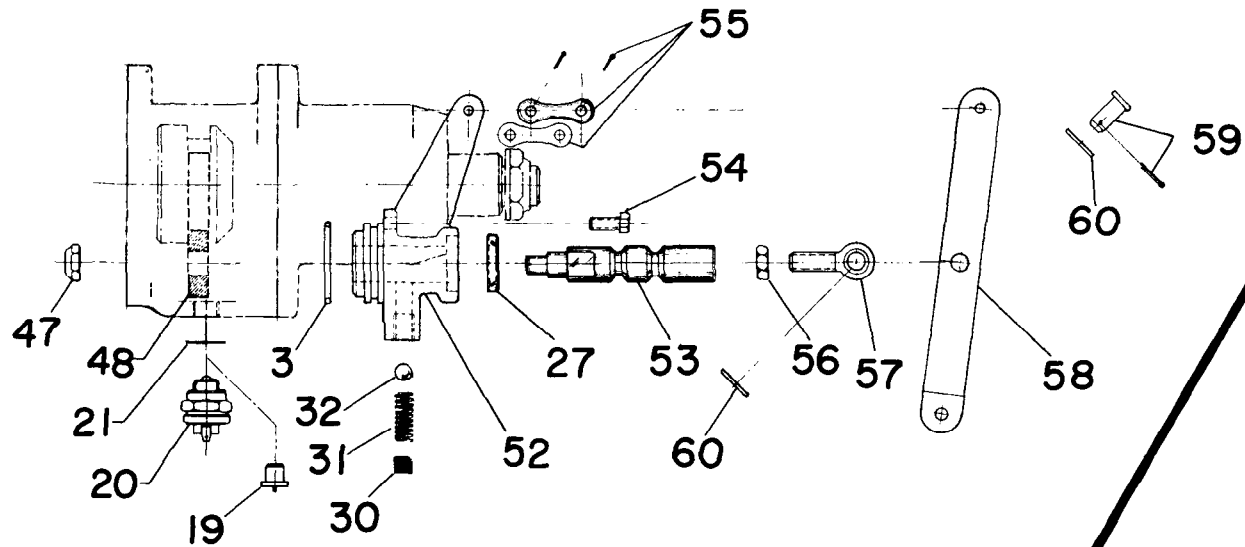
AIR OPERATED PTO SHIFT



ITEM	PART NO.	DESCRIPTION	QUANTITY
1	758 338	Plastic Plug	1
2	235 372	Cap, Air Shift Cyl.	1
3	675 224	O-Ring, Air Shift Cap & Adaptor	3
6	688 464	Nut, Shift Piston	1
7	927 643	Washer, Shift Piston	1
8	675 326	O-Ring, Shift Piston	1
9	753 232	Piston, Shift	1
10	339 223	Felt Ring, Shift Piston	1
11	782 288	O-Ring, Shift Shaft	1
13	736 747	Ring, Nylon Bump	1
19	758 364	Plastic Plug	1
20	798 245	Switch, Indicator	1
21	927 427	Washer, Copper	1
38	265 982	Capscrew, Air Shift Cyl. 1/2-20 x 4 3/4	4
43	883 887 007	Tube, Piggyback Cyl. & PTO Cyl.	1
47	688 684	Nut, PTO Shift Shaft	1
48	367 267	Fork, PTO Shift	1
49	769 236	Shaft, PTO Air Shift	1
50	883 852	Adaptor, PTO Air Shift Cyl.	1
51	777 534	Spring, PTO Air Shift Cyl.	1



PM13

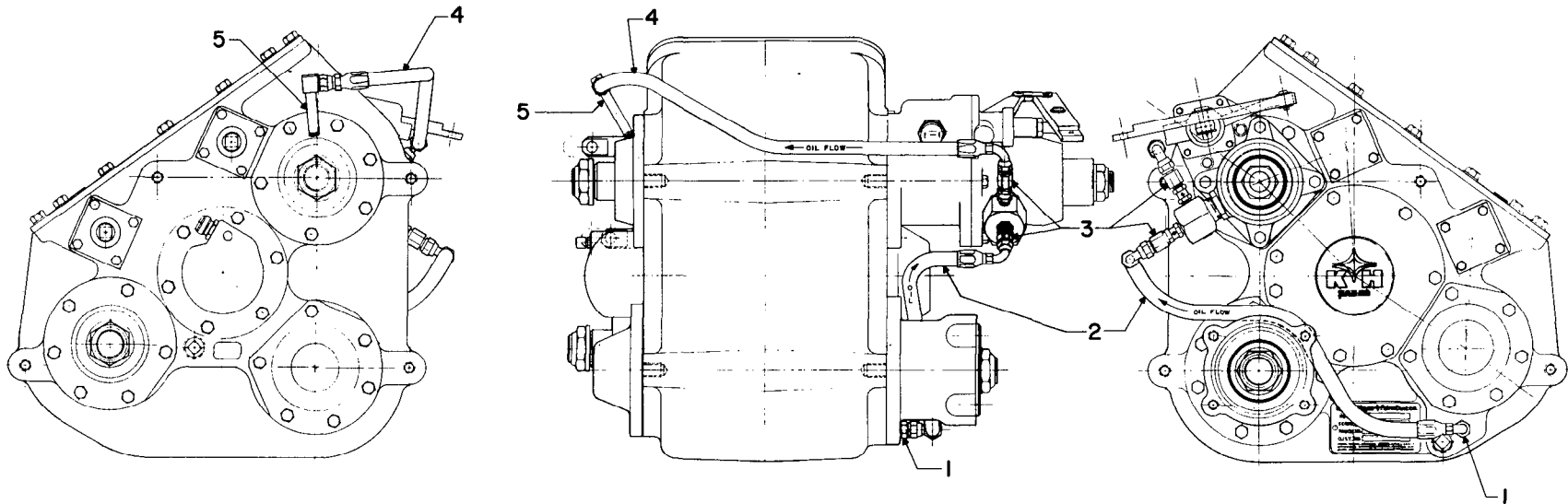


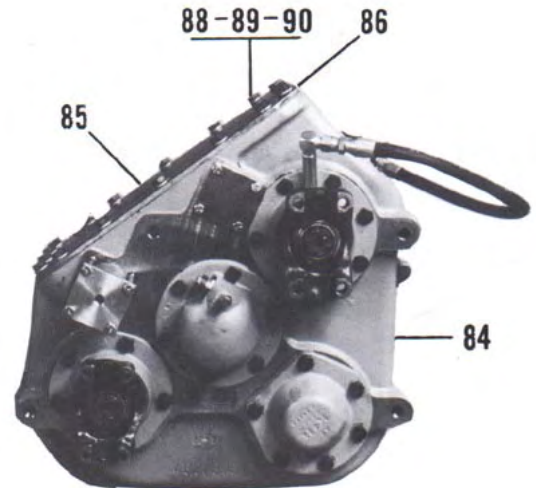
ITEM	PART NO.	DESCRIPTION	QUANTITY
3	675 224	O-Ring, Air Shift Cap & Adaptor	1
19	758 364	Plastic Ring	1
20	798 245	Switch, Indicator	1
21	927 427	Washer, Copper	1
27	732 357	Seal, Shift Shaft	1
30	724 585	Set Screw, Nylock	1
31	777 225	Spring, Detent	1
32	225 222	Ball, Detent	1
47	688 684	Nut, PTO Shift Shaft	1
48	367 267	Fork, PTO Shift	1
52	235 466	Carrier, Shift Shaft & Seal	1
53	769 238	Shaft, PTO Shift-Manual	1
54	265 386	Bolt, 1/4-20 x 3/4	4
55	246 289	Link, Connecting	1
56	688 237	Nut, 7/16-20 Jam	1
57	393 222	Eye Bolt	1
58	538 476	Lever, PTO Shift	1
59	746 352	Pin, Clevis w/Cotter Pin	1
60	927 347	Washer	2

MANUAL PTO SHIFT

Oil Lines & Fittings — PTO

ITEM	PART NO.	DESCRIPTION	QUANTITY
1	357 288	Fitting, ½ MP ¾ H JIC	1
2	469 794	Hose Assembly, Suction	1
3	357 939	Fitting, ¼ FP ¾ H JIC	2
4	469 826	Hose Assembly, Pressure	1
5	357 948	Elbow, ¼ MP ¾ H	1





**Parts not designated on the drawing.
Used on all cases — unless otherwise specified.**

ITEM	PART NO.	DESCRIPTION	QUANTITY	
84	468 896	Housing, Main Case	1	
85	793 377	Cover, Main Case	1	
86	427 464	Gasket, Main Cover	1	
87	273 687	Bracket, Case Lifting	2	
88	265 239	Capscrew, Cover Mtg. $\frac{7}{16}$ -14 x 1	16	
89	265 238	Capscrew, Cover Mtg. $\frac{7}{16}$ -14 x 1 $\frac{1}{4}$	2	
90	927 749	Washer, Cover Mtg. Screw $\frac{7}{16}$ Lock	18	
91	626 228	Label, Serial Plate	1	
92	724 276	Screw, Serial Plate Mtg. Drive	2	
93	758 274	Plug, $\frac{1}{4}$ NPT Magnetic Drain	1	
94	758 229	Plug, $\frac{3}{4}$ NPT Fill	1	
95	758 293	Plug, $\frac{1}{2}$ NPT Return Line Hole	1	(w/o PTO)