



MVG 1600LD 2005 and Newer

Pro Gear's Harmon-Herrington MVG 1600LD - 2005 and newer parts manual to assist in identifying the parts for your Harmon-Herrington transfer case unit.

If you need any assistance identifying the correct transfer case unit for your truck and equipment, contact your Harmon-Herrington replacement part specialists at Pro Gear and Transmission.

Pro Gear Transmission has same day shipping and 1000's of products in stock and ready to ship internationally for your next project.

For parts or service contact the Harmon-Herrington specialists at Pro Gear & Transmission, Inc.

1 (877) 776-4600
(407) 872-1901
parts@eprogear.com



PARTS MANUAL
FOR
MVG 1600LD
2005 and Newer

TABLE OF CONTENTS

REPLACEMENT PARTS & WARRANTY CLAIM PROCEDURE	3
HOUSING MVG 1600LD	4-5
INPUT SHAFT, COVER MVG 1600LD	6-7
OIL PUMP MVG 1600LD	8-9
DOUBLE GEAR, BEARING COVER MVG 1600LD	10-11
OUTPUT SHAFT, BEARING COVER MVG 1600LD	12-13
FLANGES MVG 1600LD	14-15
GEAR SHIFT MVG 1600LD	16-17



REPLACEMENT PARTS

When ordering replacement parts for **MARMON-HERRINGTON ALL-WHEEL DRIVE** conversions, the following information should be given:

1. **FACTORY ORDER NUMBER** (found on I.D. Plate on driver's door panel or small plate affixed to axle housing). This will be a six (6) digit number. (See illustrations this page.)
2. Component for which parts are required, i.e. front drive axle or transfer case.
3. Model of axle and/or transfer, i.e. MR-90, MR-226.
4. Give quantity and part number required.
NOTE: Drive lines, shift linkage, etc., can be found on the computer print out of Bill of Material, which is included in the Service Manual.
5. Give complete billing and shipping address.

The information necessary for replacement parts and/or warranty claim procedures will be found on either plate design.


MARMON-HERRINGTON			
SALES ORDER	0000-00	TYPE	<input style="width: 50px;" type="text"/>
S/N	<input style="width: 150px;" type="text"/>	RATIO	<input style="width: 50px;" type="text"/>

WARRANTY CLAIM PROCEDURE

When ordering parts which you feel might be covered under warranty, advise the following information:

1. **FACTORY ORDER NUMBER** (found on I.D. Plate on driver's door panel or small plate affixed to axle housing). This will be a six (6) digit number. (See illustrations this page.)
2. Date unit was put into operation.
3. Mileage of unit at time of failure.
4. Nature of failure.

Upon receipt of the above, you will be advised as to how to proceed with the claim.



MARMON-HERRINGTON

ALL-WHEEL DRIVE

LOUISVILLE, KENTUCKY U.S.A.

FACTORY ORDER NO.

INSTALLED BY

FRONT DRIVING AXLE

MODEL

CAPACITY

SERIAL NO.

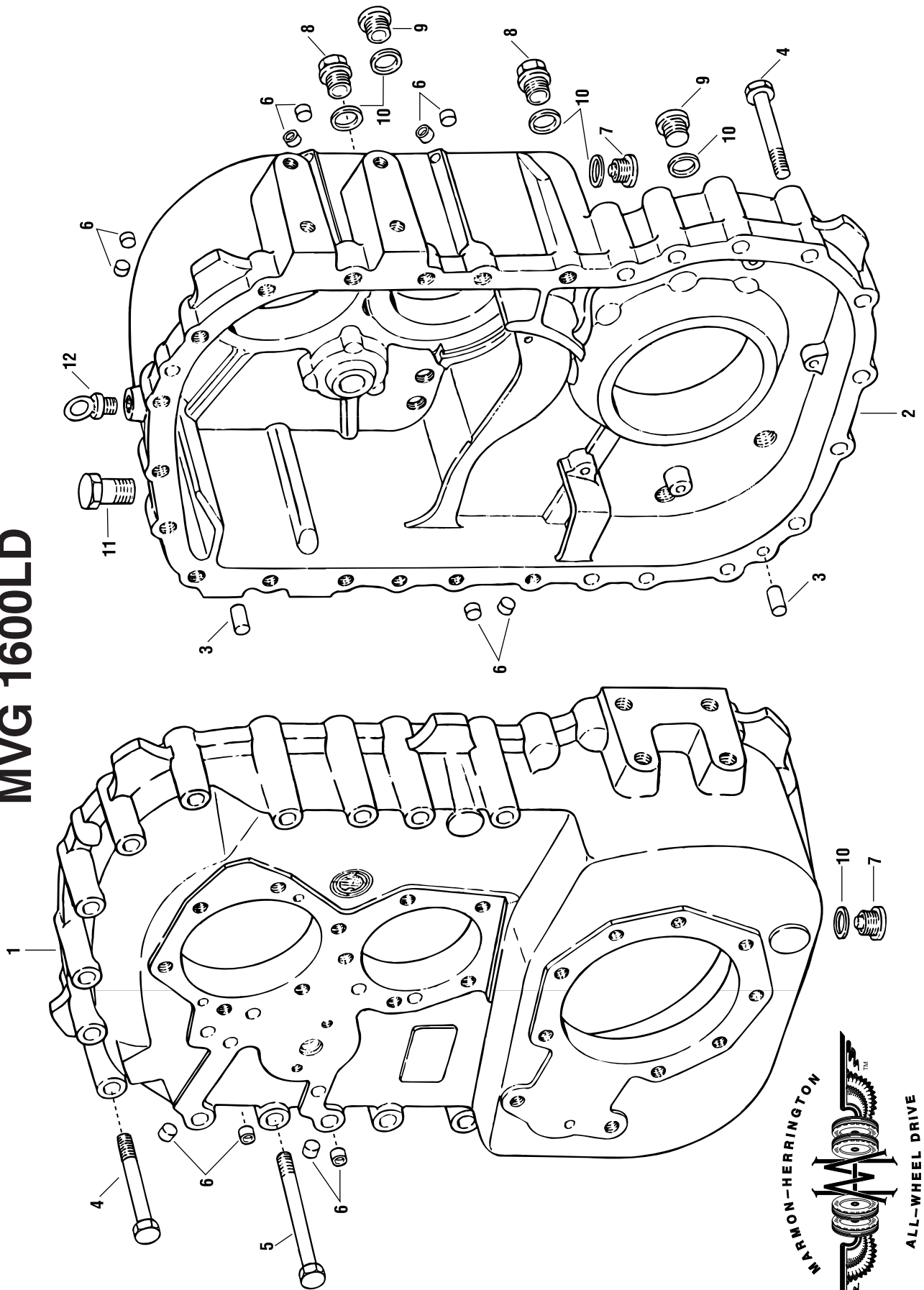
RATIO

TRANSFER CASE

MODEL

SERIAL NO.

HOUSING MVG 1600LD

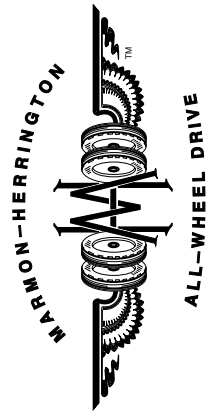
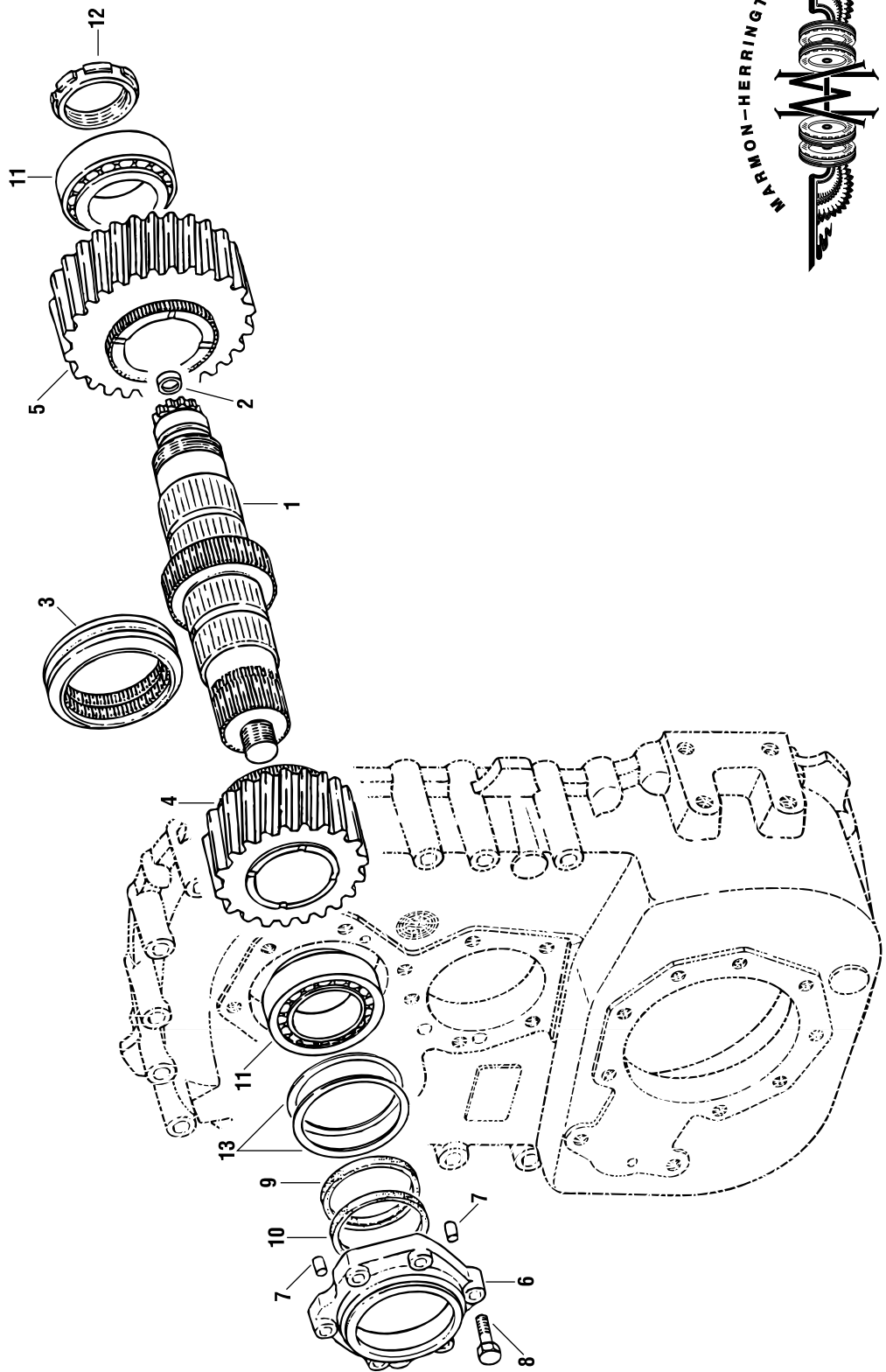


ITEM NO.	MH PART NO.	DESCRIPTION	QTY. REQ.	ITEM NO.	MH PART NO.	DESCRIPTION	QTY. REQ.
1	MVG16-1101	Housing Front	1				
2	MVG16-1102	Housing Rear	1				
3	MVG20-1016	Dowel Pin	2				
4	11501712	Hex Bolt, M14x100	17				
5	11501715	Hex Bolt, M14x130	9				
6	MVG16-1003	Core Plug	12				
7	MVG75-1005	Drain Plug	2				
8	MVG75-1028	Fill Plug	2				
9	MVG75-1012	Drain Plug	3				
10	MVG12-1010	Gasket	6				
11	MVG20-1018	Breather	1				
12	MT93-2247	Eye Bolt	1				

**HOUSING
MVG 1600LD**



INPUT SHAFT, COVER MVG 1600LD

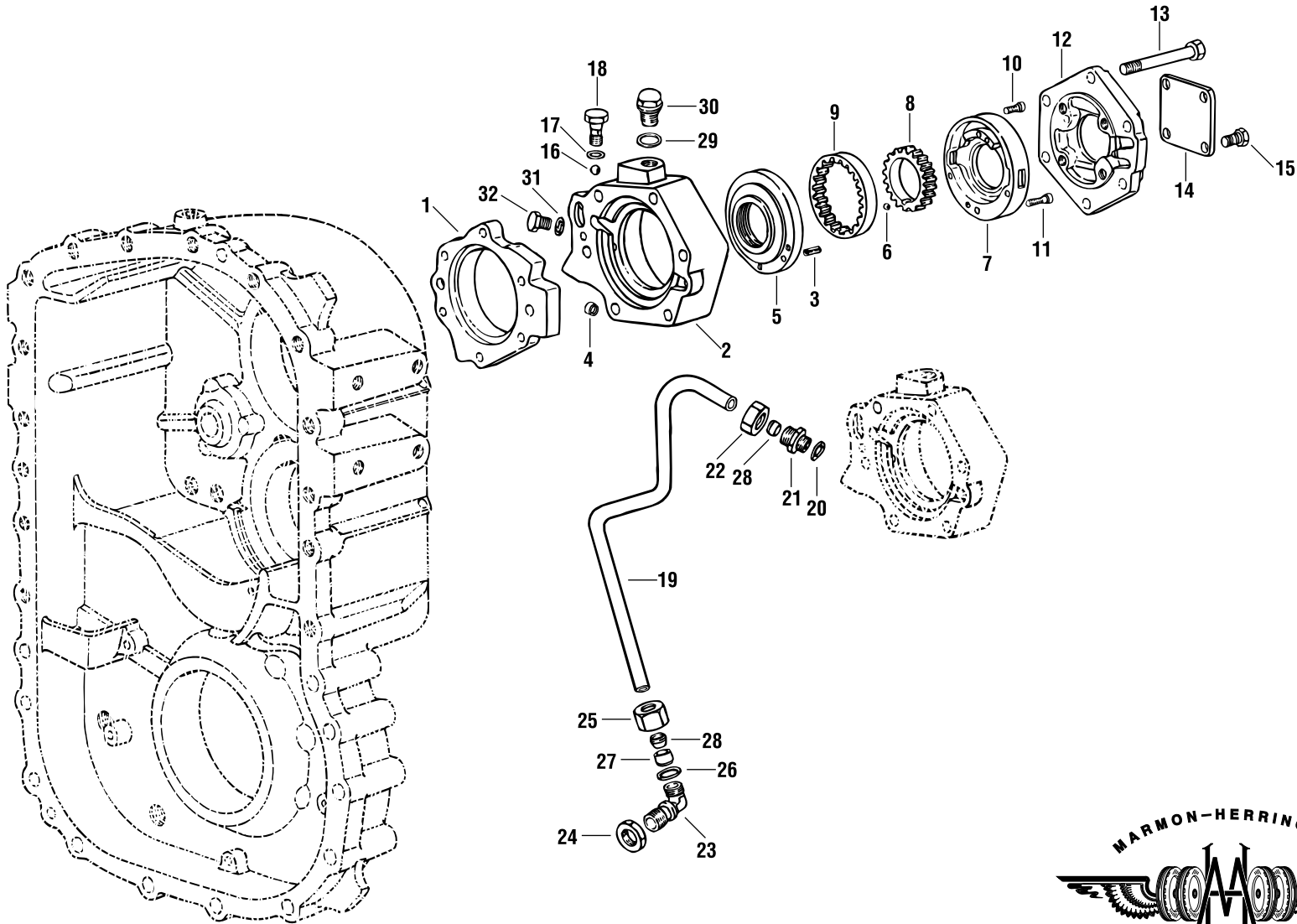


ITEM NO.	MH PART NO.	DESCRIPTION	QTY. REQ.	ITEM NO.	MH PART NO.	DESCRIPTION	QTY. REQ.
1	MVG16-1007	Input Shaft	1				
2	MVG20-1064	Baffle Washer	1				
3	MVG20-1110	Shifting Sleeve	1				
4	MVG16-1008	Drive Gear, Low	1				
5	MVG16-1009	Drive Gear, High	1				
6	MVG16-1010	Bearing Cover	1				
7	MVG16-1011	Dowel Pin	2				
8	11500733	Hex Head Bolt, M12x45	6				
9	MVG20-1037	Oil Seal, Inner	1				
10	MVG20-1038	Oil Seal, Outer	1				
11	MVG20-1039	Bearing	2				
12	MVG20-1119	End Nut	1				
13	MVG16-1014A	Shim 1.25mm	1				
	MVG16-1014B	Shim 1.30mm	1				
	MVG16-1014C	Shim 1.40mm	1				
	MVG16-1014D	Shim 1.50mm	1				
	MVG16-1014E	Shim 1.60mm	1				
	MVG16-1014F	Shim 1.70mm	1				
	MVG16-1014G	Shim 1.80mm	1				
	MVG16-1014H	Shim 1.85mm	1				

**INPUT SHAFT, COVER
MVG 1600LD**



OIL PUMP MVG 1600LD

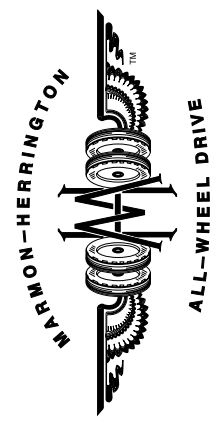
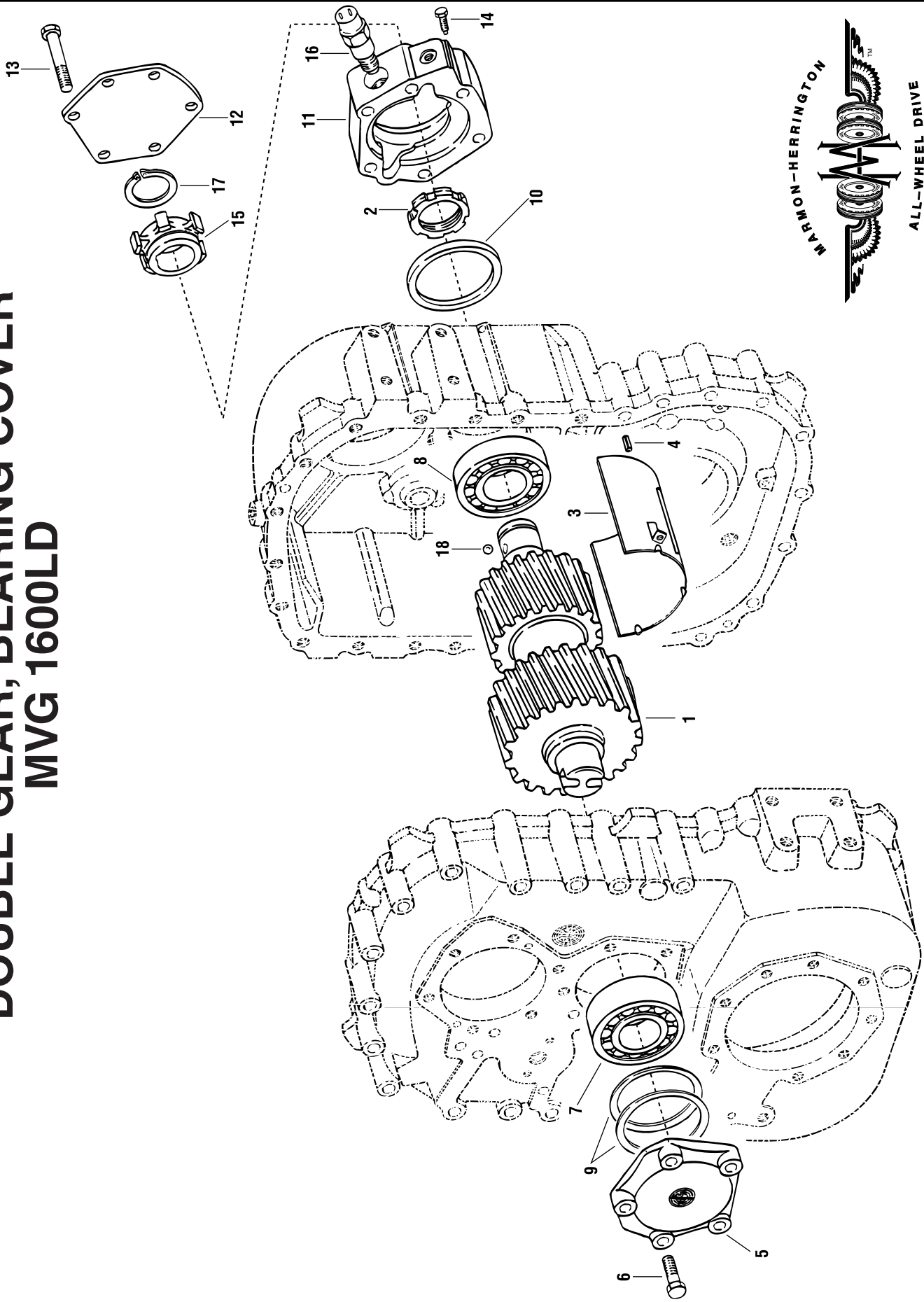


ITEM NO.	MH PART NO.	DESCRIPTION	QTY. REQ.	ITEM NO.	MH PART NO.	DESCRIPTION	QTY. REQ.
1	MVG16-1015	Intermediate Plate	1				
2	MVG16-1103	Bearing Housing	1				
3	MVG75-1033	Pin	1				
4	MVG16-1017	Core Plug	2				
5	MVG75-1034	Oil Pump Cover	1				
6	MVG12-1069	Ball 6.0mm	1				
7	MVG12-1139	Oil Pump Housing	1				
8	MVG12-1068	Oil Pump Gear	1				
9	MVG12-1067	Oil Pump Rim Gear	1				
10	11503857	Screw, M6x30	2				
11	11503858	Screw, M6x35	2				
12	MVG16-1018	Cover	1				
13	11500998	Hex Head Bolt, M12x110	6				
14	MVG12-1015	Cover Plate	1				
15	11500888	Hex Head Bolt, M12x16	4				
16	MVG12-1137	Ball 11.0m	1				
17	MVG75-1128	Sealing Ring	1				
18	MVG75-1030	Hollow Screw	1				
19	MVG16-1105	Oil Pipe	1				
20	MVG12-1040	Sealing Ring	1				
21	MVG20-1117	Elbow	1				
22	MVG75-1038	Union Nut	1				
23	MVG75-1039	Elbow	1				
24	MVG75-1040	Hexagon Nut, M22x1.5	1				
25	MVG75-1041	Union Nut	1				
26	MVG75-1042	Sealing Ring	1				
27	MVG75-1043	Pressure Ring	1				
28	MVG75-1044	Cutting Ring	2				
29	MVG12-1010	Gasket	1				
30	MVG75-1028	Plug	1				
31	MVG75-1024	Sealing Ring	1				
32	MVG16-1107	Screw Plug	1				

**OIL PUMP
MVG 1600LD**



DOUBLE GEAR, BEARING COVER MVG 1600LD

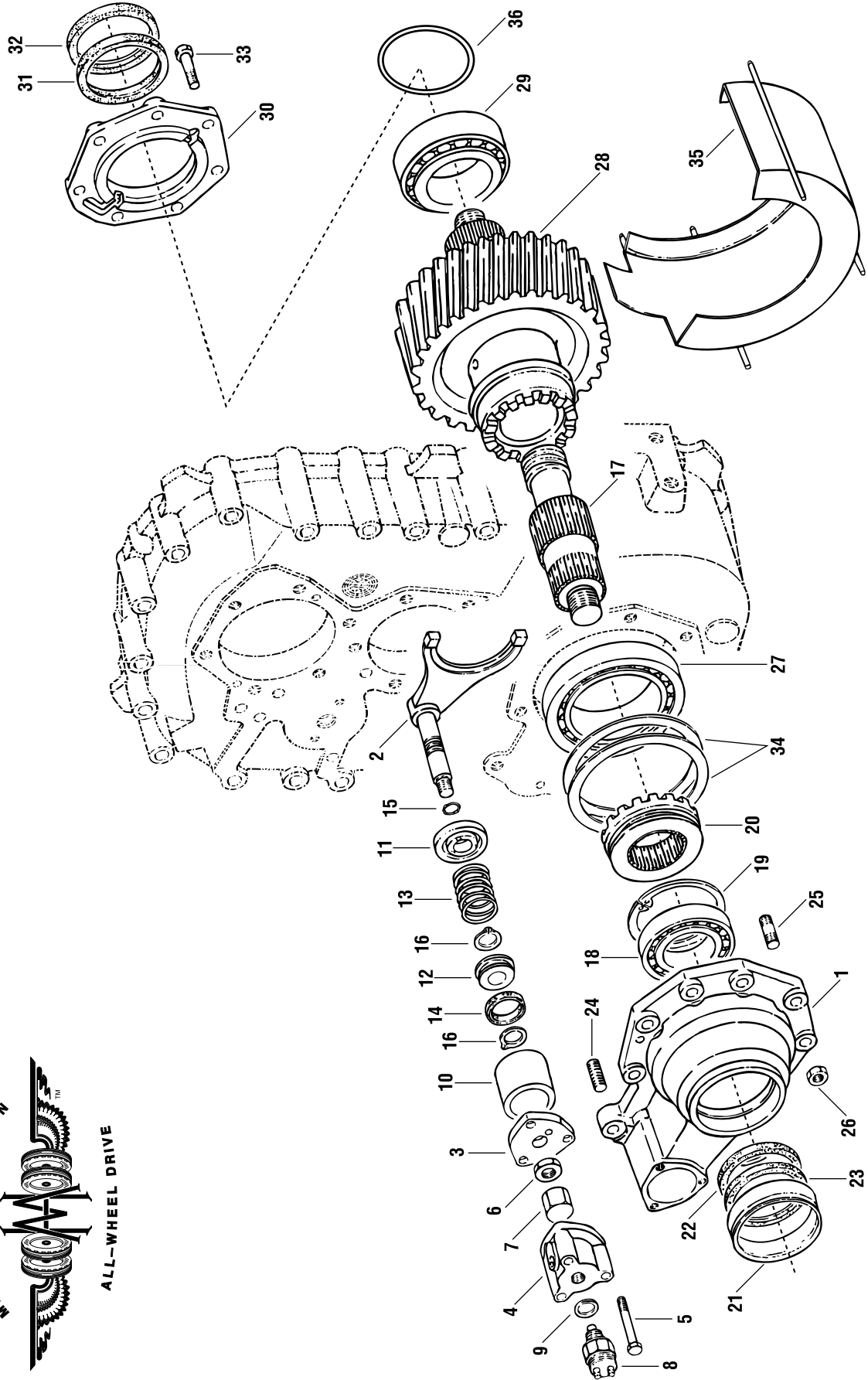


ITEM NO.	MH PART NO.	DESCRIPTION	QTY. REQ.	ITEM NO.	MH PART NO.	DESCRIPTION	QTY. REQ.
1	MVG16-1159	Double Gear	1				
2	MVG16-1026	Plain Nut, M60x1.5	1				
3	MVG16-1027	Cover Plate Splash Guard Upper	1				
4	MVG20-1021	Pin	1				
5	MVG20-1004	Cover, Idler Shaft	1				
6	MVG20-1005	Hex Head Bolt, M12x40	5				
7	MVG16-1028	Roller Bearing	1				
8	MVG16-1029	Roller Bearing	1				
9	MVG20-1046A	Shim 0.60mm	1				
	MVG20-1046B	Shim 0.80mm	1				
	MVG20-1046C	Shim 1.00mm	1				
10	MVG16-1030	Centering Ring	1				
11	MVG16-1055	Speedometer Housing	1				
12	MVG20-1026	Cover	1				
13	MVG20-1027	Hex Head Bolt, M12x75	6				
14	MVG16-1032	Hex Head Screw	1				
15	MVG16-1033	Impulse Wheel 12 Tooth	1				
16	MT93-2542	Sensor Speedo	1				
17	MVG16-1035	Snap Ring	1				
18	MVG12-1069	Ball 6.0mm	1				

**DOUBLE GEAR, BEARING COVER
MVG 1600LD**



OUTPUT SHAFT, BEARING COVER MVG 1600LD

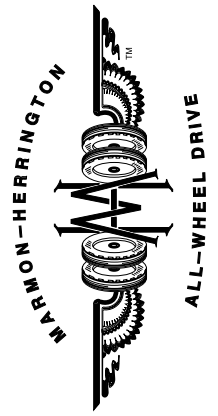
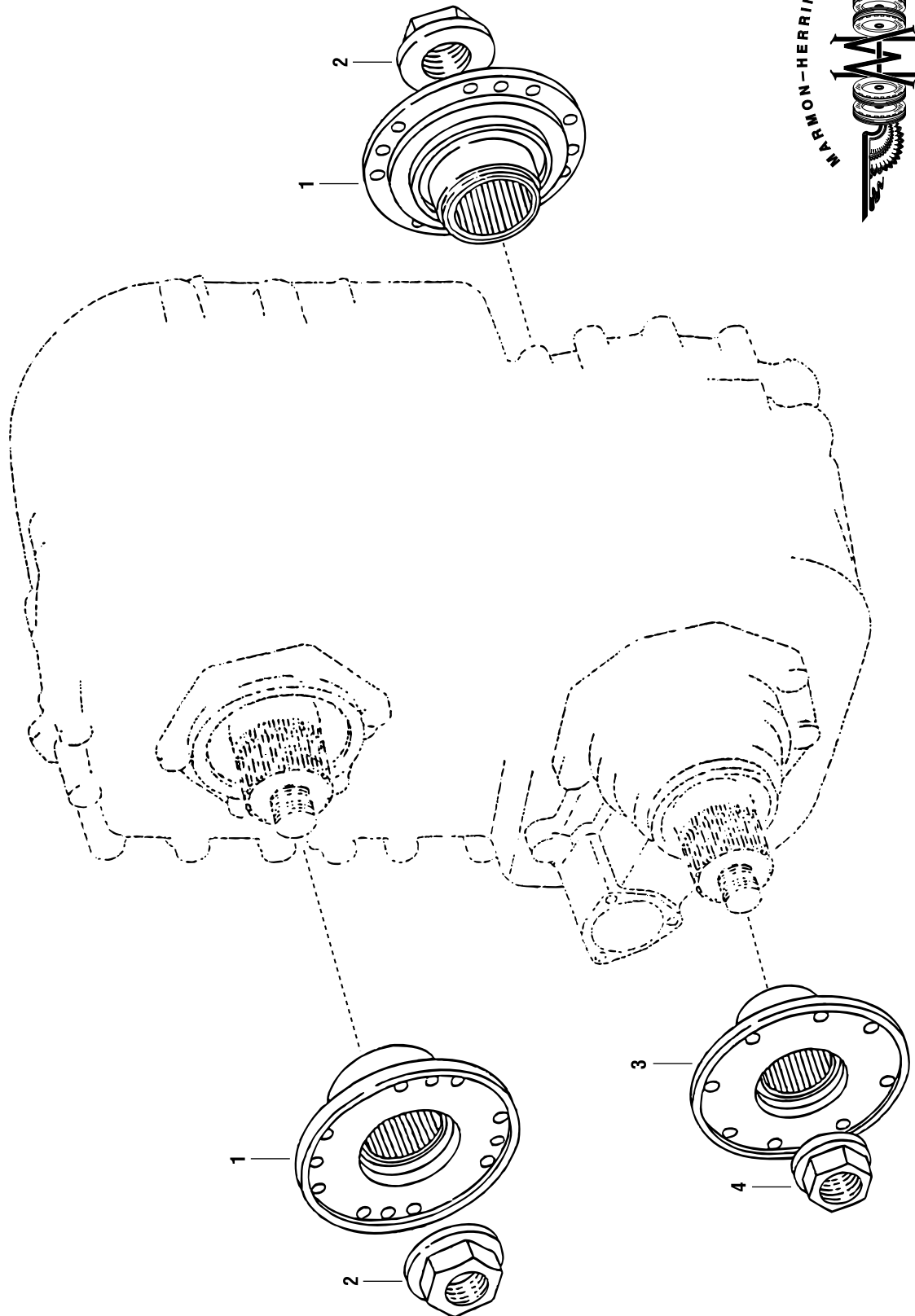


ITEM NO.	MH PART NO.	DESCRIPTION	QTY. REQ.	ITEM NO.	MH PART NO.	DESCRIPTION	QTY. REQ.
1	MVG20-1006	Cover, Front Output	1	34	MVG20-1053A	Shim 1.25mm	1
2	MVG20-1093	Shift Fork	1		MVG20-1053B	Shim 1.30mm	1
3	MVG20-1009	Cover, Air Cylinder	1		MVG20-1053C	Shim 1.40mm	1
4	MVG20-1010	Cover, Outer	1		MVG20-1053D	Shim 1.50mm	1
5	MVG20-1011	Hex Head Bolt, M8x75	3		MVG20-1053E	Shim 1.60mm	1
6	MVG20-1095	Nut, M16x1.5	1		MVG20-1053F	Shim 1.70mm	1
7	MVG20-1096	Nut	1		MVG20-1053G	Shim 1.80mm	1
8	MVG12-1041	Pressure Switch	1	35	MVG16-1045	Splash Guard Lower	1
9	MVG12-1040	Gasket	1	36	MVG16-1154	Washer	1
10	MVG20-1034	Bush	1				
11	MVG12-1031	Washer	1				
12	MVG12-1057	Piston	1				
13	MVG12-1033	Spring	1				
14	MVG12-1038	Sealing Cup	1				
15	MVG12-1036	O-Ring	1				
16	MVG12-1001	Snap Ring	2				
17	MVG20-1098	Output Shaft	1				
18	MVG20-1057	Bearing Output	1				
19	MVG20-1055	Snap Ring	1				
20	MVG16-1036	Shifting Sleeve	1				
21	MVG20-1105	Seal Retainer Assy. (Includes Items #22, #23)	1				
22	MVG16-1038	Oil Seal	1				
23	MVG12-1080	Oil Seal	1				
24	MVG16-1040	Stud Bolt, M12x45	3				
25	MVG20-1007	Stud Bolt, M12x35	7				
26	MVG20-1008	Nut, M12-1.75	10				
27	MVG16-1160	Roller Bearing	1				
28	MVG16-1156	Output Shaft	1				
29	MVG16-1157	Roller Bearing	1				
30	MVG20-1132	Bearing Cover	1				
31	MVG20-1037	Oil Seal	1				
32	MVG20-1038	Oil Seal	1				
33	MVG20-1032	Hex Head Bolt, M12x45	7				

OUTPUT SHAFT, BEARING COVER MVG 1600LD



FLANGES MVG 1600LD

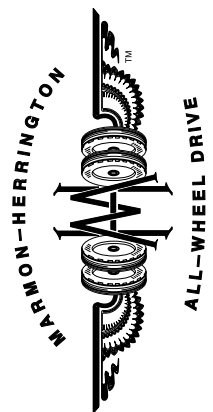
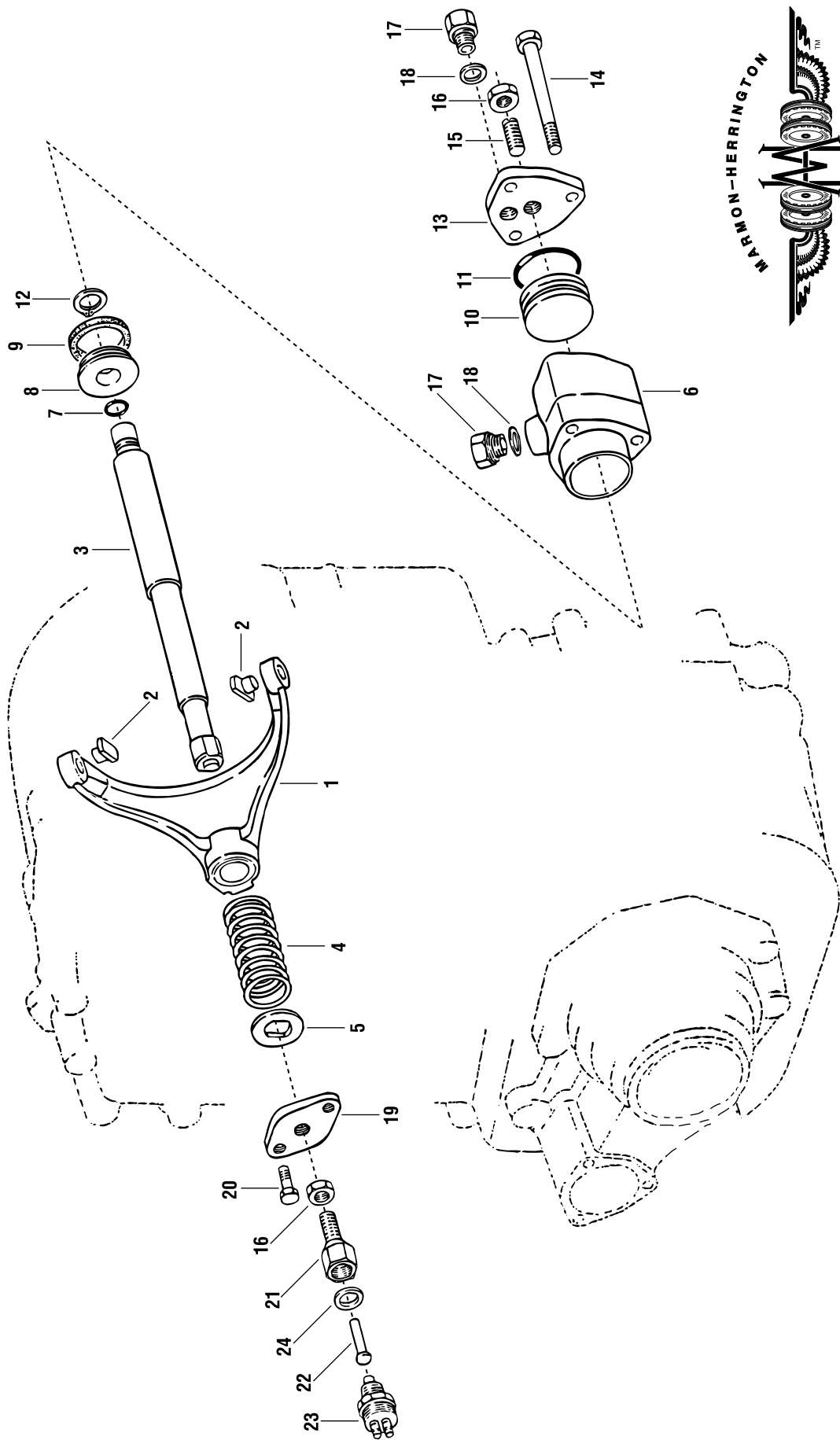


ITEM NO.	MH PART NO.	DESCRIPTION	QTY. REQ.	ITEM NO.	MH PART NO.	DESCRIPTION	QTY. REQ.
1	MVG16-1046	Comp. Flange Input/Output 1810	2				
2	MVG20-1043	Collar Nut	2				
3	MVG20-1061	Comp. Flange Output 1710	1				
4	MVG12-1058	Collar Nut	1				

**FLANGES
MVG 1600LD**



GEAR SHIFT MVG 1600LD



ITEM NO.	MH PART NO.	DESCRIPTION	QTY. REQ.	ITEM NO.	MH PART NO.	DESCRIPTION	QTY. REQ.
1	MVG16-1047	Shift Fork	1				
2	MVG12-1095	Slider	2				
3	MVG16-1048	Shift Rod	1				
4	MVG16-1049	Pressure Spring	1				
5	MVG16-1050	Washer	1				
6	MVG20-1086	Shifting Cylinder	1				
7	MVG12-1036	O-Ring	1				
8	MVG12-1037	Piston	1				
9	MVG12-1038	Sealing Cup	1				
10	MVG16-1052	Piston	1				
11	MVG16-1053	O-Ring	1				
12	MVG12-1001	Snap Ring	1				
13	MVG20-1087	Cover	1				
14	MVG20-1088	Hex Head Bolt, M12x100	3				
15	MVG12-1126	Stud	1				
16	MVG75-1092	Nut, M12x1.5	2				
17	MT93-6266	Reducer	2				
18	MVG12-1122	Sealing Ring	2				
19	MVG20-1113	Plate	1				
20	11500778	Hex Head Bolt, M10x25	2				
21	MVG75-1091	Adjusting Screw	1				
22	MVG20-1091	Pin	1				
23	MVG75-1096	Pressure Switch	1				
24	MVG12-1040	Sealing Ring	1				

**GEAR SHIFT
MVG 1600LD**



